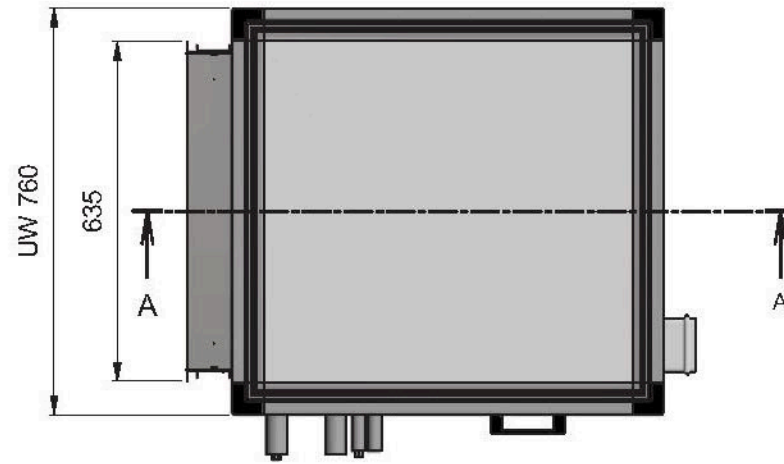
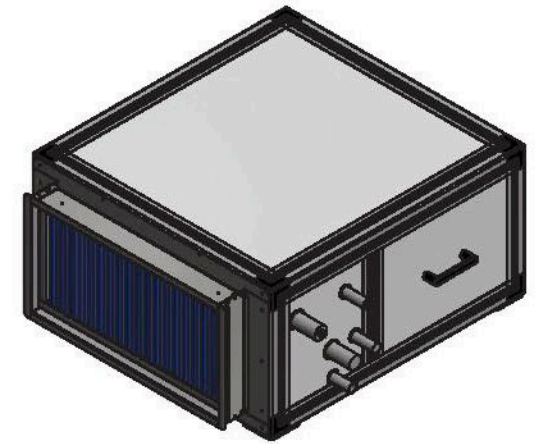


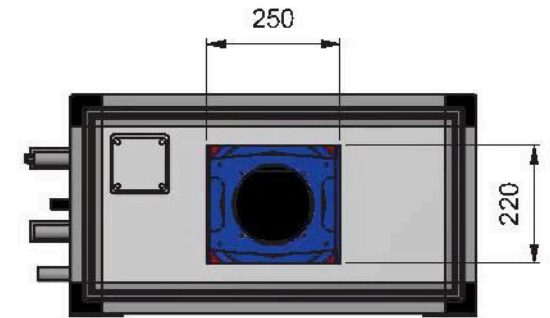
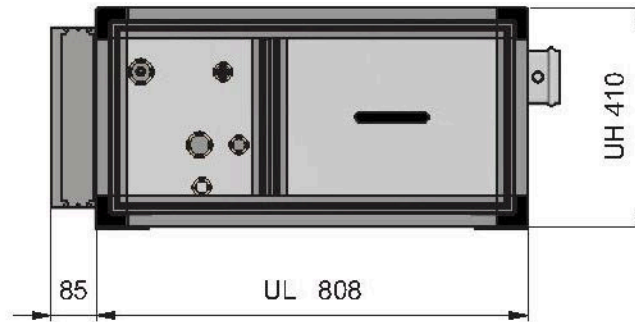
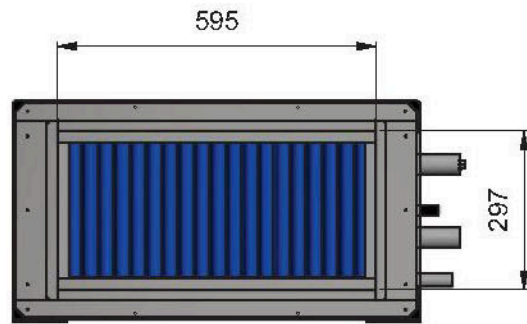
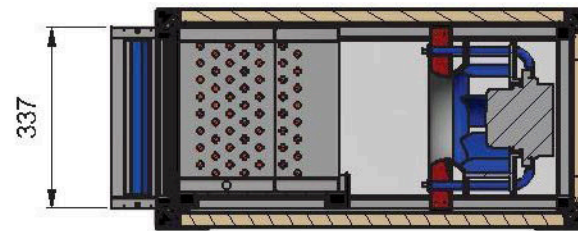
View ISO 1(1:12)



A-A (1 : 10)



View ISO 2(1:12)



MAX S/A (HORIZONTAL) : 220X250mm

UNLESS OTHERWISE SPECIFIED
DIMENSIONS ARE IN MILLIMETRES
BREAK AND Omit ALL DIMENSIONS
3rd ANGLE
PROJECTION
DO NOT SCALE DRAWING

Rev	By	Date	Description
X00	Leon	4/19/2017	Initial Released

Fantech Pty Ltd. © A.C.N. 095 434 024 45 NESTOR DRIVE, MEACOWBROOK, QUEENSLAND AUSTRALIA 4131 TELEPHONE (07) 32 999 888 FACSIMILE (07) 32 999 800				
DRAWN: Leon CHKD: Sean APPRD: JT	DATE: 2017/7/21 DATE: - DATE: -		General Layout, Cabinet, ML1B-L102-DA-FCO GR25C(Y73721)X1 SLIMthem SLH 0300	
DRAWING NO: 869-3001-0102		REV: /00	SCALE: 1 : 10	SIZE: A3